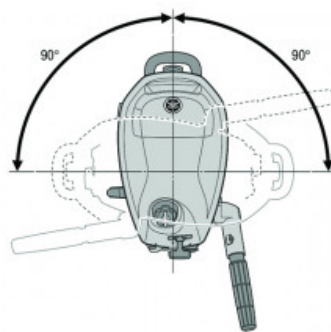
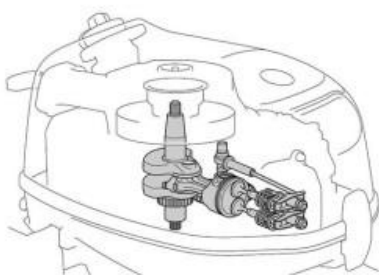




F6

POA



Three directions horizontal storage

Specifications

Boat Details

| | | | |
|------------|-----------|--------------|----------------------------|
| Price | POA | Boat Brand | Yamaha |
| Model | F6 | Length | 0.00 |
| Year | 2024 | Category | Boat Engines and Outboards |
| Hull Style | | Hull Type | |
| Power Type | Power | Stock Number | F6CMHL |
| Condition | New | State | Tasmania |
| Suburb | HUONVILLE | Engine Make | |

Disclaimer

Our company offers the details of this vessel in good faith but cannot guarantee or warrant the accuracy of this information nor warrant the condition of the vessel. A buyer should instruct his agents and/or surveyors to investigate such details buyer desires validated. This vessel is offered subject to prior sale, price change or withdrawal without notice.